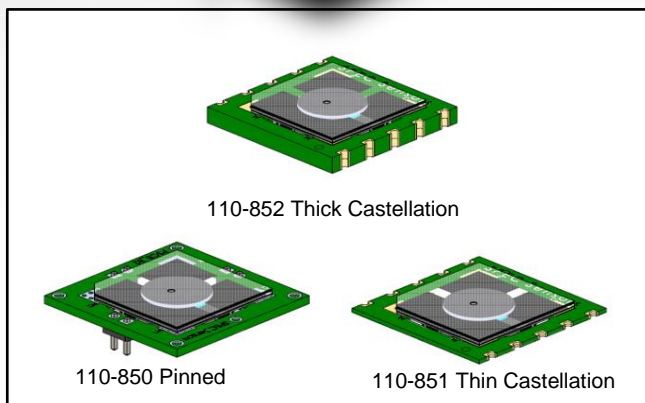
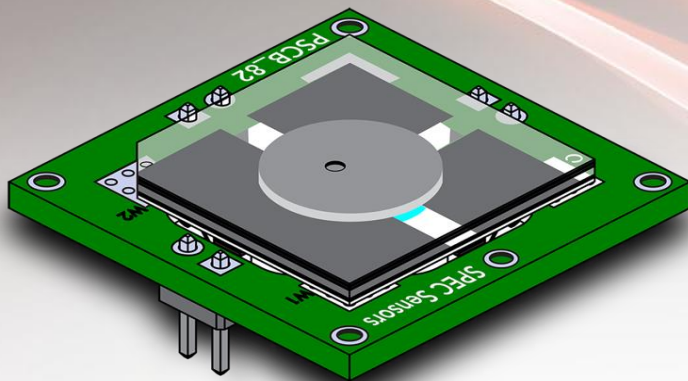


# Formaldehyde (HCHO) Sensor

## 110-85x



Interlink Electronics Screen Printed Electrochemical sensor (SPEC Sensor™) revolutionizes the current state of the art, enabling new applications in consumer, medical and industrial safety. Interlink Electronics offer the performance of the best quality electrochemical sensors at a fraction of the price. The 110-85x family Formaldehyde sensors are small and low-profile, facilitating easy integration into wireless, portable, and other IoT solutions. These sensors are ideal for health, environmental, industrial, and residential monitoring, because of their high performance, low cost, and small size. IE'S Formaldehyde Sensor are available in three packages (110-850, 110-851, 110-852).

### FEATURES

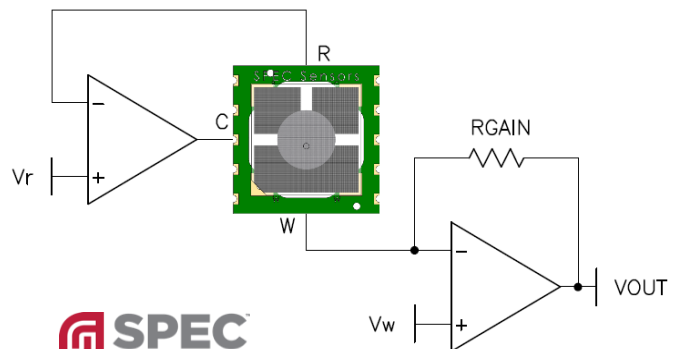
- Small Size & Low Profile
- Sensitive in the ppm range
- Not poisoned by sulfides, Chlorides, Ammonia
- Accurate & Linear Response
- Long Life (10 +years)
- 100% Factory Tested
- Fast Response
- Ultra-Low Power < 50 uW max
- ROHS Compliant

### APPLICATIONS

- Indoor Air Quality
- Internet of Things
- Smart Home
- Industrial Safety
- Personal Safety

The diagram below shows the basic measuring circuit for the 110-85x. The sensor generates an electric current which is converted to output voltage (Vout) using a linear circuit like the one shown.

Notes:  $V_{bias} = V_w - V_r$

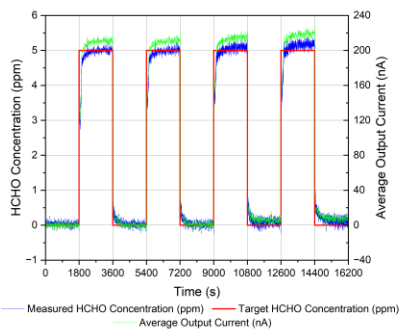


## SPECIFICATIONS

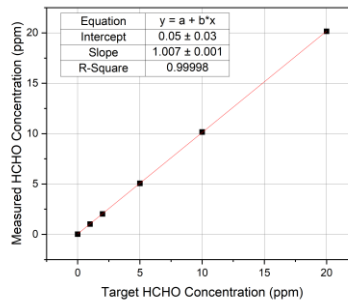
Parameter	Typical Value	Unit	Notes
Measurement Range	0 to 20	ppm	1,2,3
Lower Detection Limit	0.05	ppm	1,2
Resolution	0.02	ppm	1,2
Accuracy	± 1	%	1
Response Time – T (90)	< 30	seconds	1
Sensitivity Range	30 ± 15	nA/ppm	1
Expected Operating Life	10	years	1
Operating Temperature Range	-30 to 55	°C	3
Operating Humidity Range	10 to 95	%	3,4
Operating Pressure Range	0.8 to 1.2	atm	3
Operating Bias Range	150	mV	
Power Consumption	10 to 50	uW	2

1. At standard conditions (25 °C, 50% RH, 1 atm), unless otherwise indicated.
2. Depends on circuit design.
3. Recommended operating range. The sensor may be damaged, and warranty voided if operated outside the specified range. For the best optimum accuracy operate sensor at -20 to 40 °C and 15 to 90% RH.
4. Non-condensing.

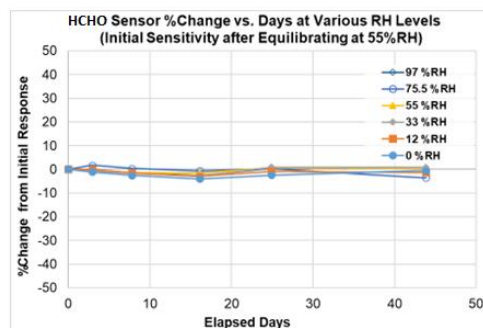
## KEY CHARACTERISTICS



Accuracy



Linearity



Humidity effect

Information furnished by Interlink Electronics is believed to be accurate and reliable "as is". However, no responsibility is assumed by Interlink Electronics for any use of such information, nor for any infringements of patents or other rights of third parties that may result from its use. Specifications subject to change without notice. No license is granted by implication or otherwise under any patent or patent rights of Interlink Electronics. Trademarks and registered trademarks are the property of their respective owners.

## CONTACT US

15707 Rockfield Blvd.  
 Suite 105  
 Irvine, CA 92618

Toll Free: +1.866.764.8965  
 Phone: +1.805.484.8855  
 Fax: +1.805.530.5598

Visit:  
[www.interlinkelectronics.com](http://www.interlinkelectronics.com)

Email:  
[sales@interlinkelectronics.com](mailto:sales@interlinkelectronics.com)